

# **HDMI 1.4 1x8 Splitter with HDCP**

## **User Manual**

# 1. About

---

## ■ Introduction

HDMI 1.4 1x8 Splitter with HDCP can split single ultra HD HDMI input signal to 8 full HD HDMI output signal without compression. Support up to HDMI 1.4b 4K2K video signal, 12-bit deep color, and Dolby True HD/DTS-HD Master audio formats.

## ■ Main features

- 8-channel HDMI 1.4b 4K2K ultra HD HDMI signal output up to 3.4Gbps data rate.
- Support 1080p 3D video signal.
- Support 12-bit deep color.
- Support audio format-LCPM 7.1, and other uncompressed audio formats, such as Dolby True HD, DTS-master, etc.
- Support multi-channel EDID management, ensure maximum compatibility of video sources and display terminals.
- HDCP 1.4 compatible.
- Industrial metal case, easy to install.
- UL, CCC, CE, FCC compliance.

## ■ Parameters

Interface	1 HDMI input port (Type A-F), 8 channel HDMI output ports (Type A-F), 1 5V DC input port
Power consumption	<5W
Power input	5V DC
Dimension	(L x W x H): 258 x 112 x 29.5mm
Net weight	0.69kg per unit
Video bandwidth	TMDS clock, up to 340MHz, 10.2Gbps
Video resolution	Up to 4K2K 30Hz
Audio format	8-channel audio, include digital audio formats Dolby True HD and DTS Master
TMDS input	800mV-1.2 Vp-p
DDC input	5 Vp-p
Power on initiation time	≤6 s
Input HDMI cable hot-plug recover time	≤6 s
Output HDMI cable hot-plug recover time	≤6 s
Maximum Input HDMI cable length	≥8m @4K2K 24fps, HDMI AWG24, HDMI 1.4 standard cable
Maximum output HDMI cable length	≥8m @4K2K 24fps, HDMI AWG24, HDMI 1.4 standard cable
Temperature range	0 ~ 40°C (operation), -20~60°C(stock)
ESD level	HBM ±6 kV (Contact Discharge)
Compliance	UL, CCC, FCC, CE, RoHS

## ■ Product introduction

Input port and output ports:

### ➤ HDMI 1x8 splitter



① HDMI output port 1;

② HDMI output port 2;

- ③ HDMI output port 3;
- ④ HDMI output port 4;
- ⑤ HDMI input port;
- ⑥ HDMI output port 5
- ⑦ HDMI output port 6;
- ⑧ HDMI output port 7;
- ⑨ HDMI output port 8;
- ⑩ 5V DC 2A power input;
- ⑪ HDMI output indicator 8;
- ⑫ HDMI output indicator 7;
- ⑬ HDMI output indicator 6;
- ⑭ HDMI output indicator 5;
- ⑮ HDMI output indicator 4;
- ⑯ HDMI output indicator 3;
- ⑰ HDMI output indicator 2;
- ⑱ HDMI output indicator 1;
- ⑲ Power and HDMI input indicator;
- ⑳ Power switch;

### ■ Packing list

- 1 unit HDMI 1x8 splitter
- 1 unit DC 5V 2A adapter for HDMI 1x8 splitter
- 312\*181\*88mm mm carton packing

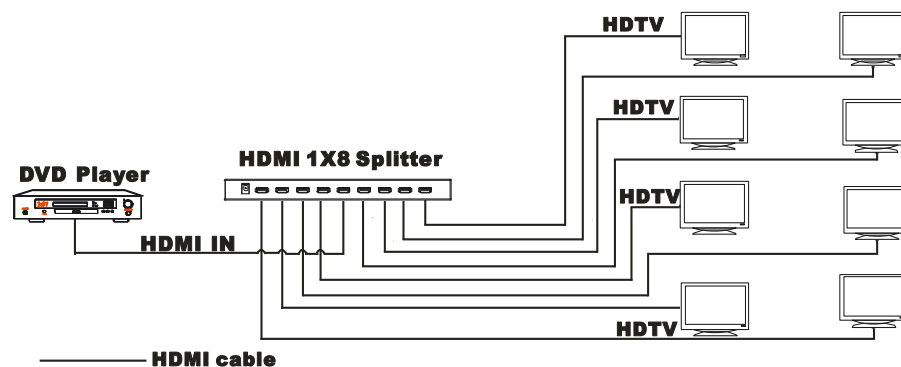
## 2. Installation

---

### ■ Installation details and cautions

- Before installation
  - a) Prepare space for system installing and ensure reliable AC outlet.
  - b) Splitter should be far away from electromagnetic disturbance sources. Such as AC motors, fluorescents, microwave ovens, etc. These disturbance sources might affect video quality.
  - c) Ensure the length of HDMI cable is suitable, no external tensions.
- **Typical applications**

This system is suited for 1 HDMI video source to 8 HDMI display terminals. Like below HDMI 1x8 application diagrams.



- Connecting
  - a) Connecting PC, DVD or HDMI cameras to splitter 'HDMI IN' port through HDMI cable.
  - b) Connecting HDMI display terminals to splitter 'HDMI OUT' ports through HDMI cables.
  - c) Connect power adapter (attached) to splitter '5V DC' port.

## 3. Operation instruction

---

### ■ Getting started

After finishing all steps above, system is workable, follow below steps please.

- a) Ensure the video source and the display terminals are power on.
- b) Ensure all input, output cables are connected.
- c) Insert DC IN power adapter into AC plug base, then place power switch to “ON”.
- d) It takes about 2~3 seconds to finish EDID and other initialization automatically.
- e) When input video source is locked, splitter ‘POWER/ VIDEO I IN’ indicator will light, it means input video signal is OK, if HDMI input is unlock, the light will be just flicking.
- f) At this time, display terminals will show the same format video that video source send out. And relative connected ‘HDMI OUT’ ports indicators will light; it means video outputs are OK.

### ■ Internal EDID function

This splitter has internal EDID function, support 8 display terminals EDID signal dynamic combination. This function is automatic, no need to setup by customers. This function is to keep maximum compatibility.

## 4. Trouble shooting

---

### ■ Normal problems

#### a) No output on display terminals

Check power first, and then check if relative connected 'HDMI OUT' ports indicators light. If they don't light, check HDMI cables between splitter and display terminals. If they light, check 'Power/VIDEO IN' indicator please. If 'Power / Video IN' indicator doesn't light or flick, check the DC power and HDMI input cable between splitter and video source please.